

Why choose AMC Stone, Inc?

We realize there are literally hundreds of options when it comes to choosing a countertop fabricator. With so many companies to choose from in North Texas, choosing the right fabricator can be a daunting task. AMC Stone is committed to quality and customer service and we strive to make each project exceed our clients' expectations. We make every effort to keep our pricing competitive, but as the saying goes, "You get what you pay for." Our goal is to provide a top of the line product by purchasing only top-quality material and employing talented team members, not to compete with so-called bargain companies.

We attribute our ongoing success to our many loyal customers and the talented staff we employ. We hope you find this edge selection guide to be a useful tool and just one more example of what differentiates AMC Stone from our competition.

Remember, we work with stone every day. We're here to answer your questions, give you guidance, and assure you that your project will look more beautiful and elegant than you ever imagined.



STONE, INC
Marble & Granite Fabrication

www.amcstoneinc.net

P 972•284•0744 F 972•284•0747

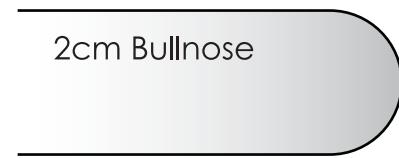


STONE, INC
Marble & Granite Fabrication

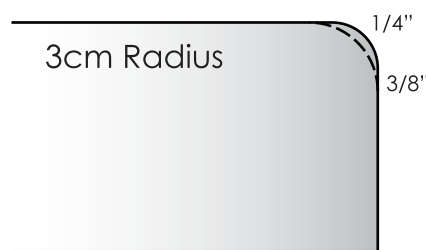
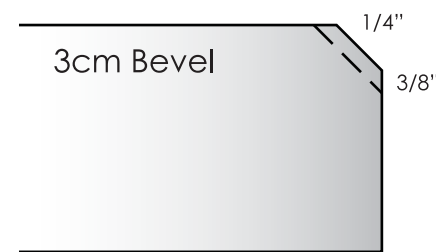
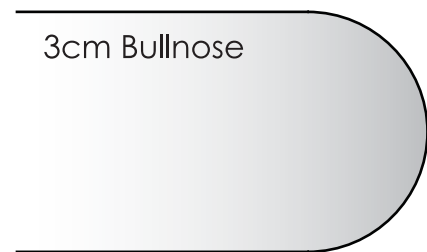
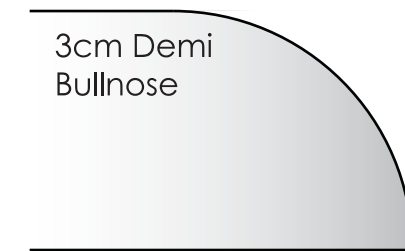
Edge Selections

STANDARD EDGE PROFILES

3/4 Inch (2cm)



1 1/4 Inch (3cm)

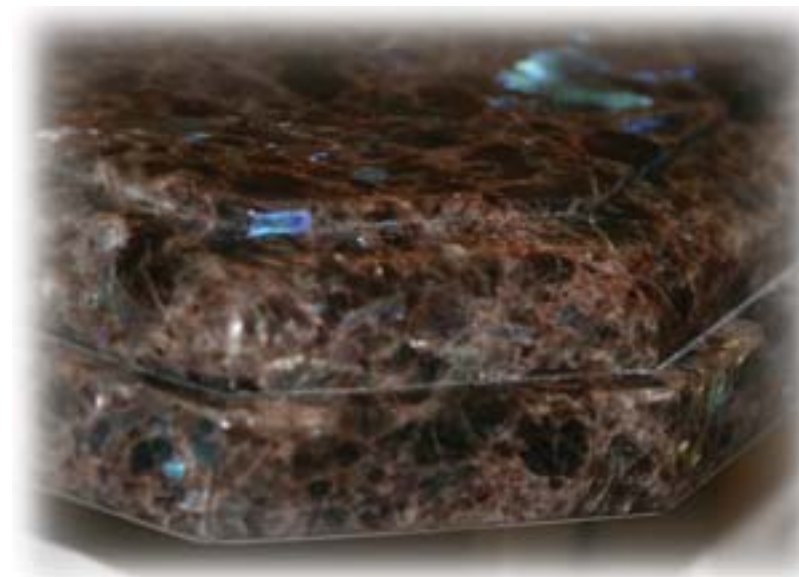
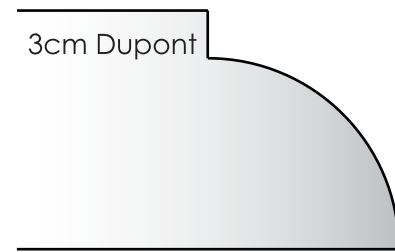
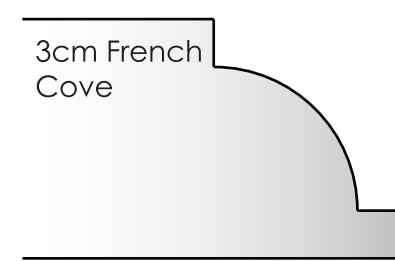


UPGRADED EDGE PROFILES

3/4 Inch (2cm)

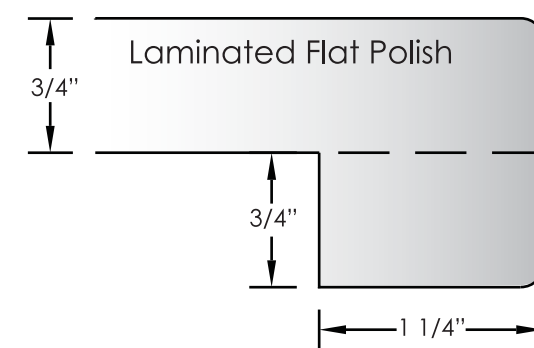
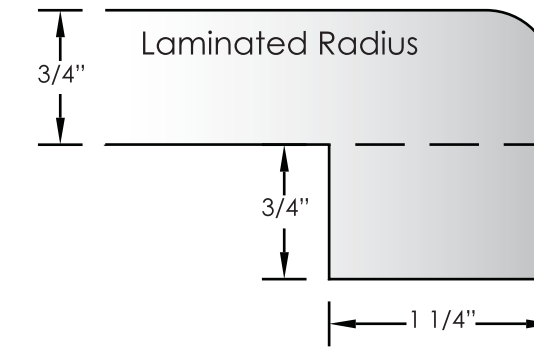
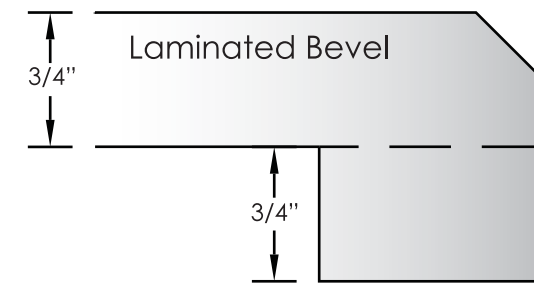
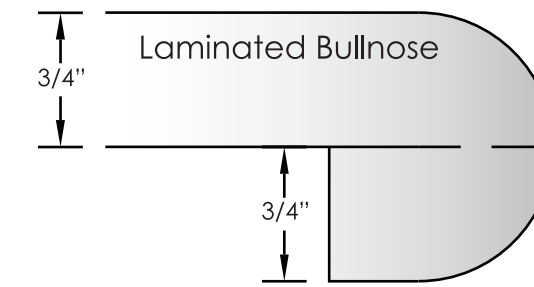


1 1/4 Inch (3cm)

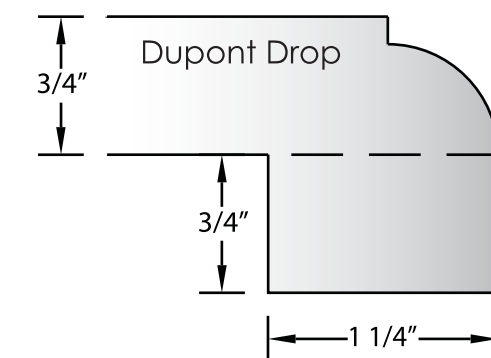
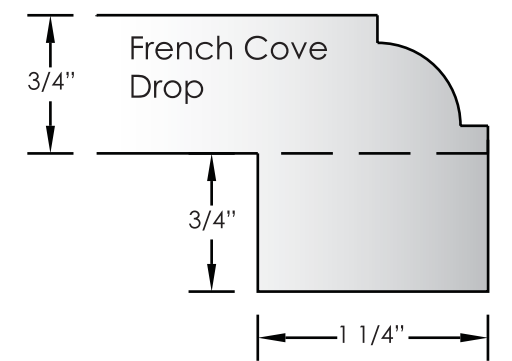
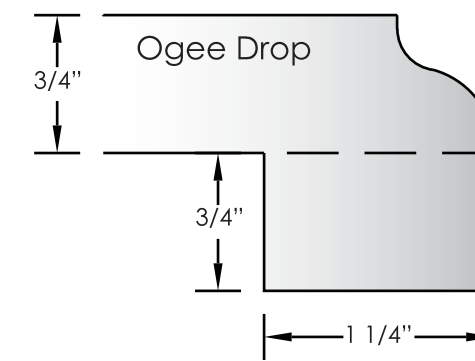


Above: Custom 4cm Dupont Drop edge

LAMINATED EDGE PROFILES



UPGRADED LAMINATED EDGE PROFILES



Additional custom edges available upon request.